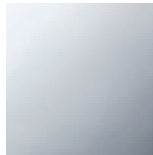


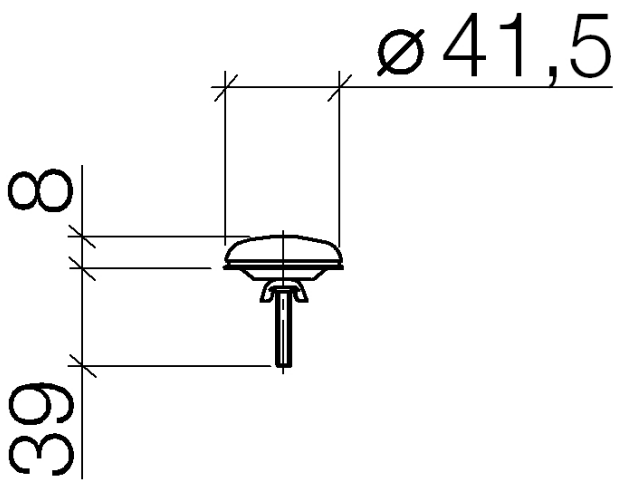


Sink - Madison
Cover for tap hole - polished chrome
Article number: 12 715 970-00



polished chrome

Dimensional drawing



All dimensions in mm / inch = mm x 0,0394



Sink - Madison
Cover for tap hole - polished chrome
Article number: 12 715 970-00



Sink - Madison
Cover for tap hole - polished chrome
Article number: 12 715 970-00

Other surface finishes



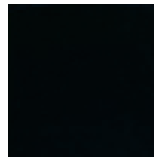
platinum matte
12 715 970-06



platinum
12 715 970-08



Durabrass
12 715 970-09



black matte
12 715 970-33

More custom finish options are available via special production (xTra Service). Please see our finish matrix for availability and pricing or contact a Dornbracht representative.

Spare parts list

Number	Item Number	Designation	Number of units
--------	-------------	-------------	-----------------

